

FIG. 1

FIG. 1

FIG. 2

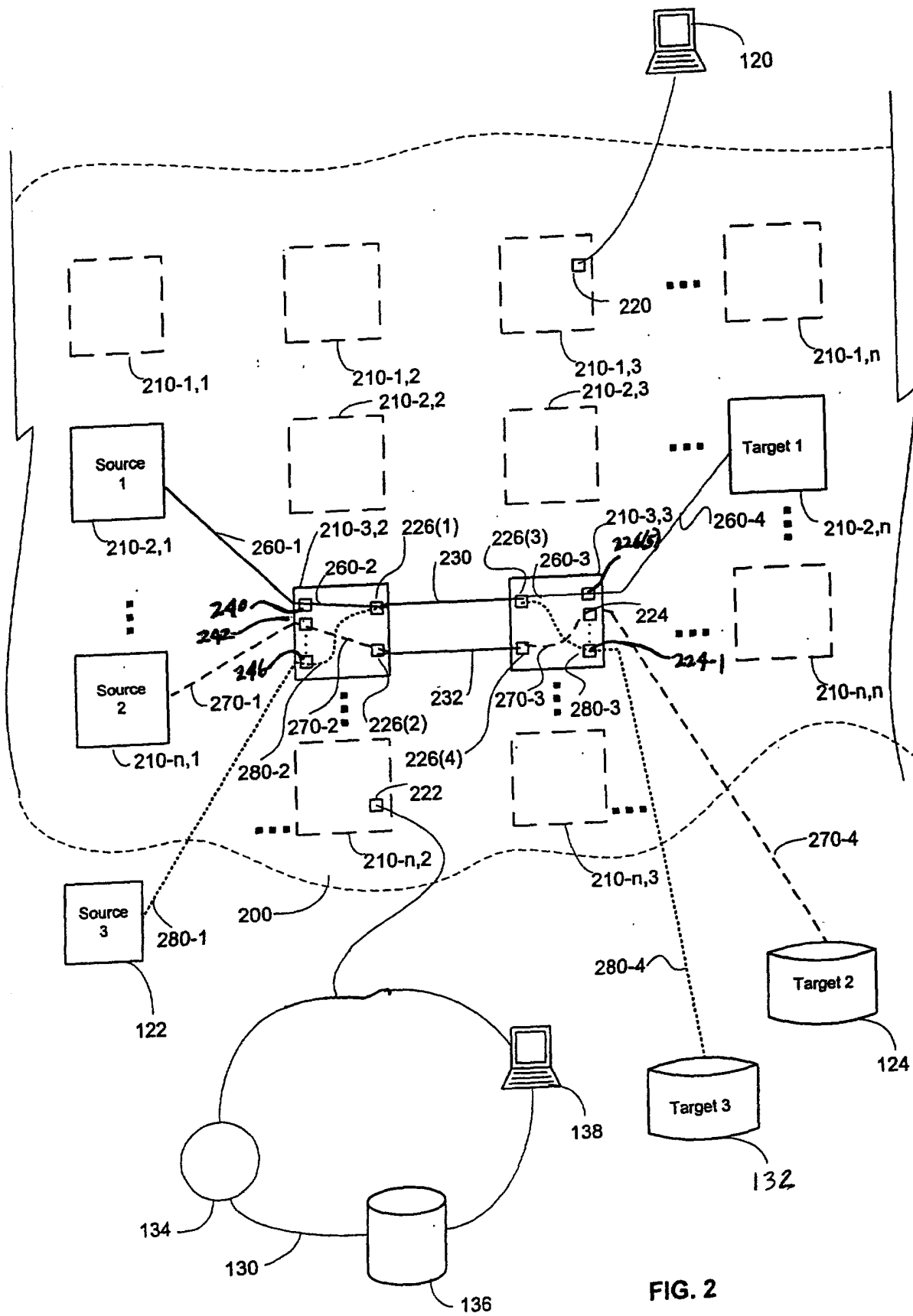


FIG. 2

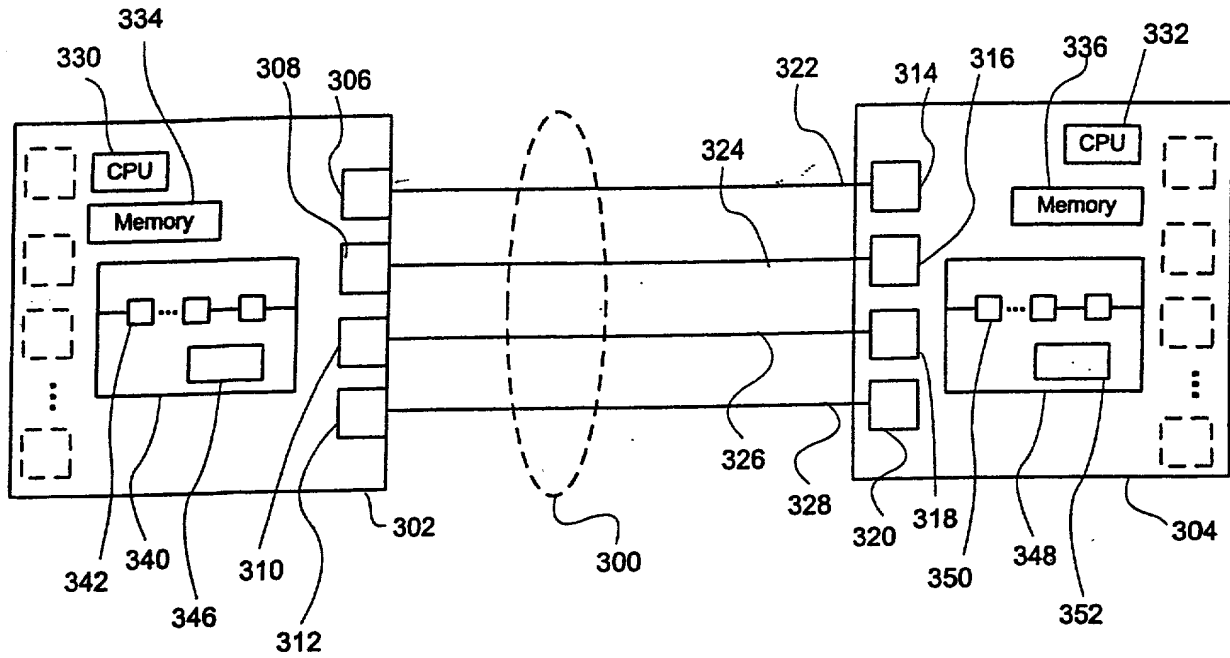


FIG. 3

FIG. 3

Sequence Diagram

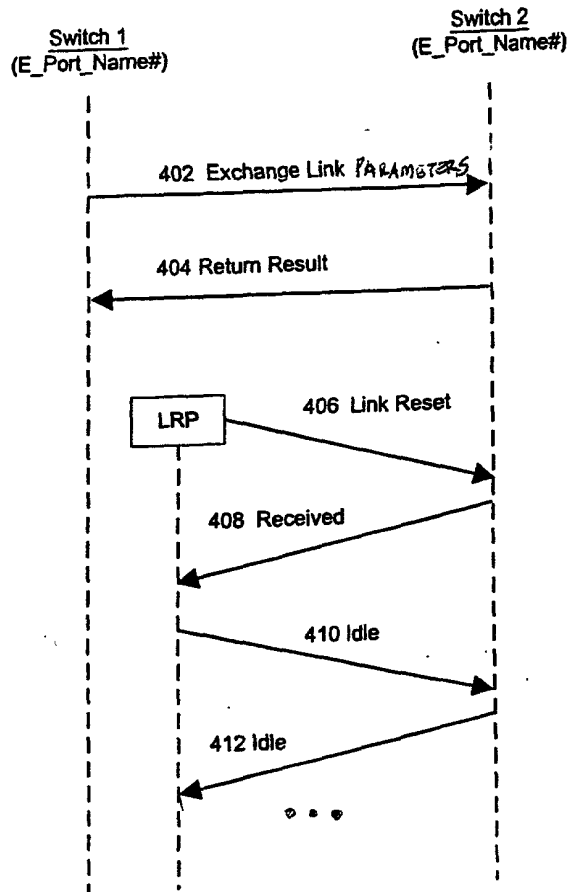
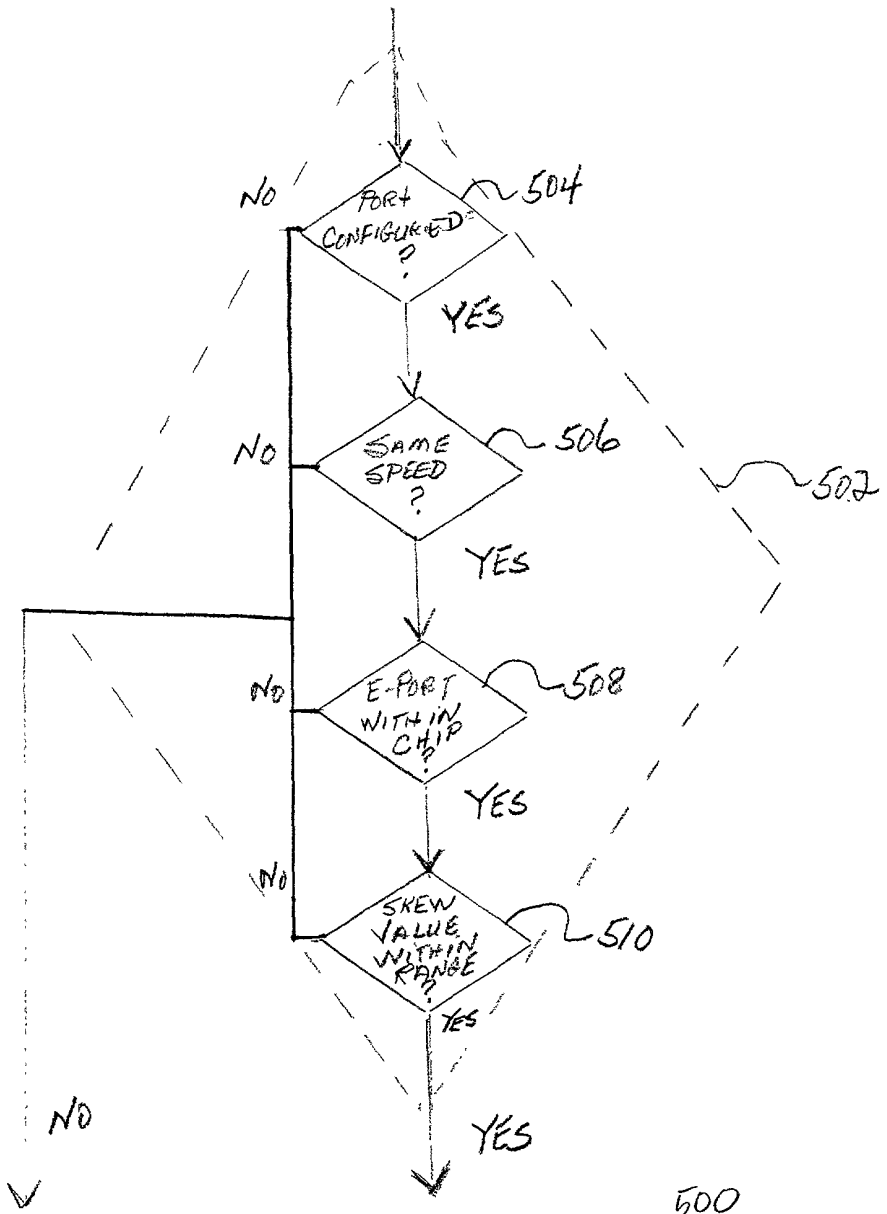


FIG. 4



500
PORT
TRUNKABLE
DETERMINATION

FIG. 5

FIG. 5

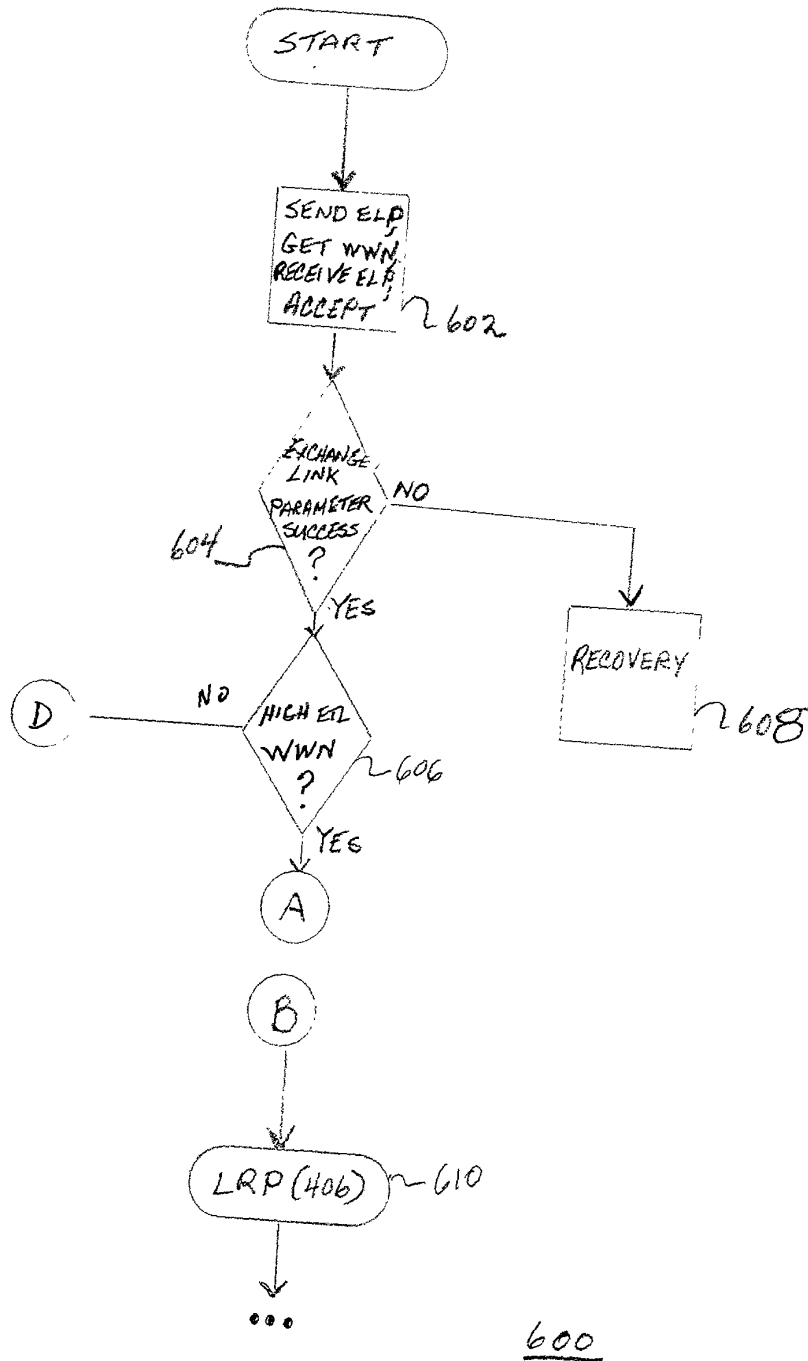


FIG. 6

FOR PUBLICATION

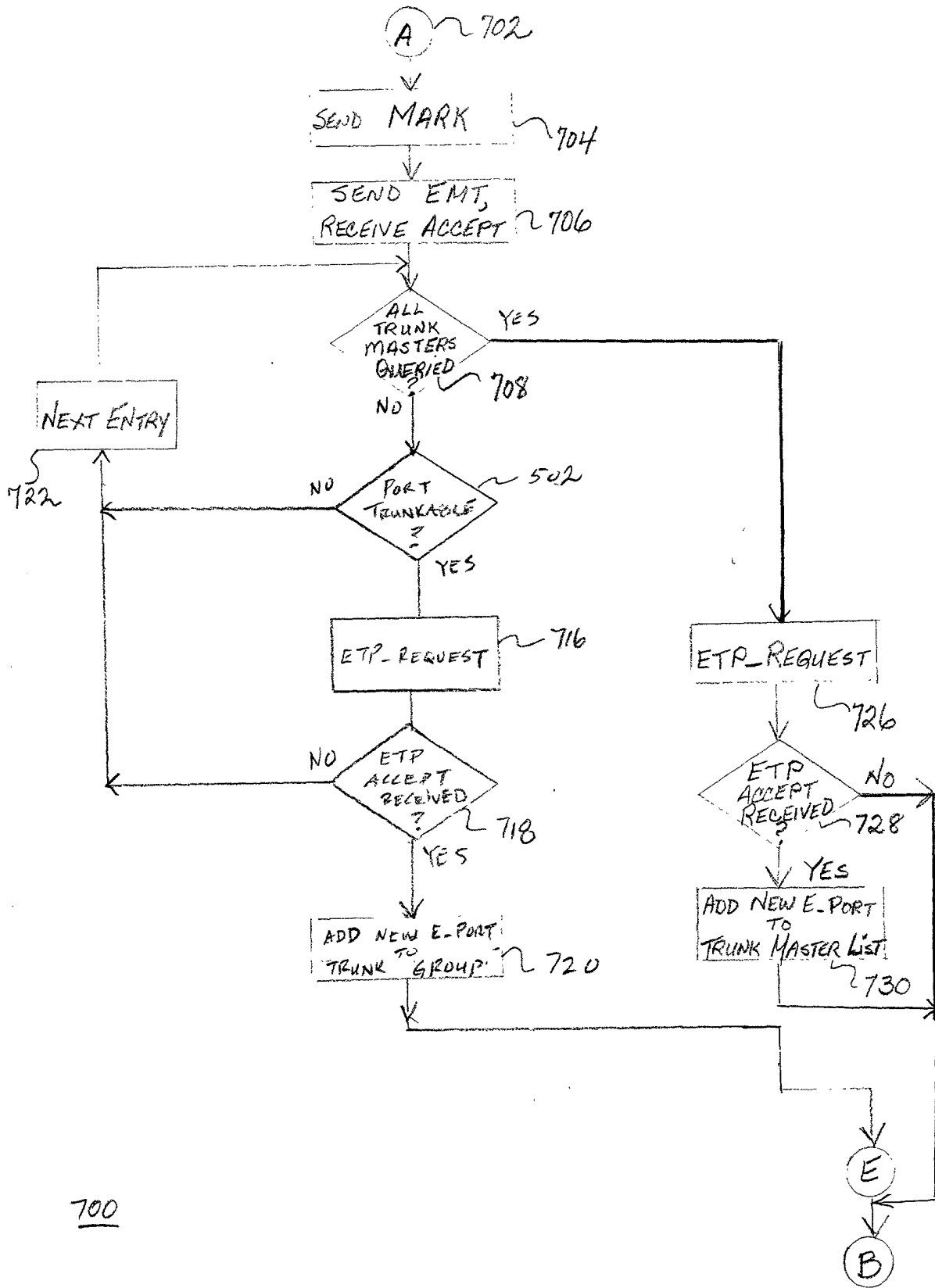


FIG. 7

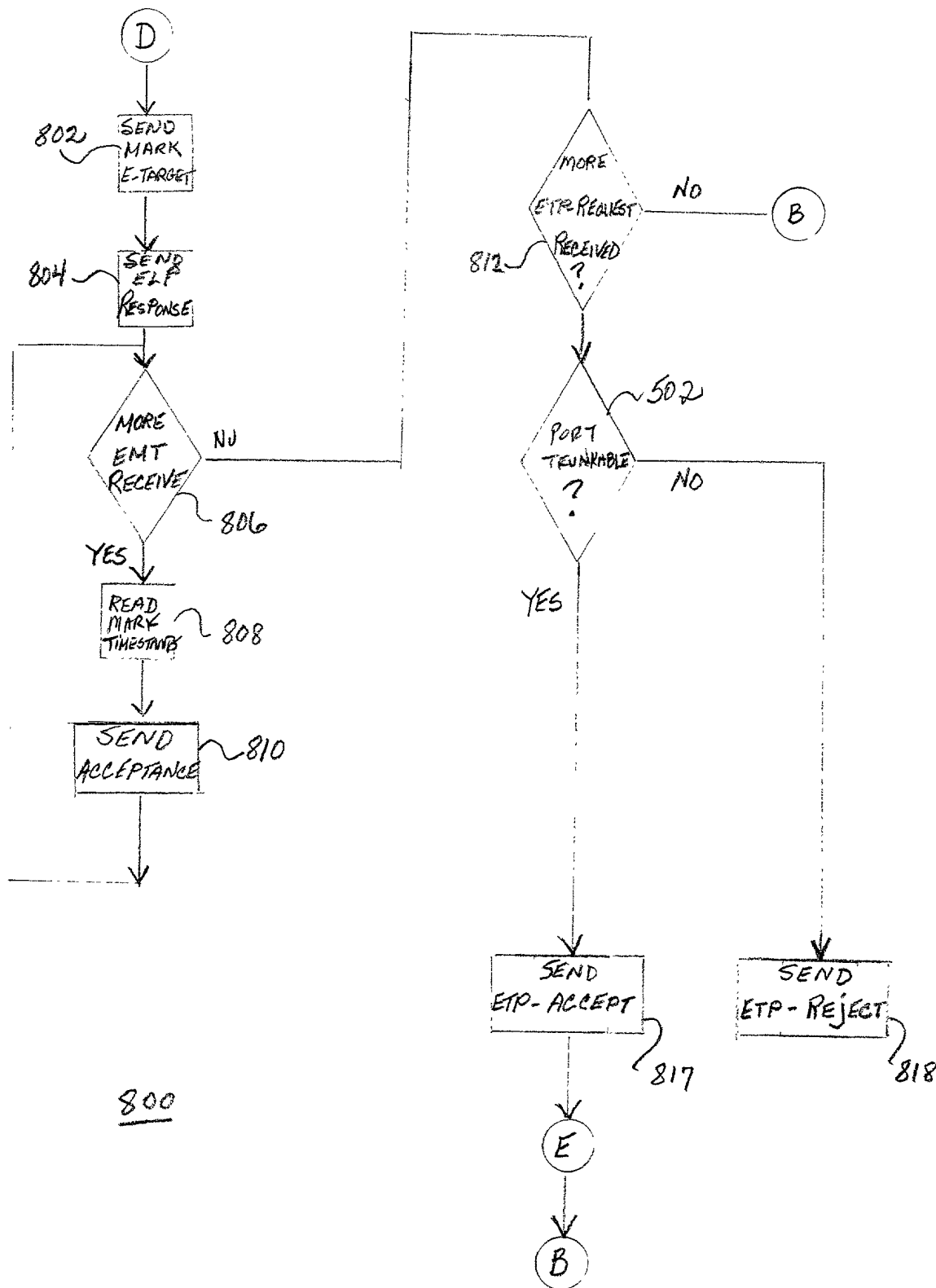


FIG. 8

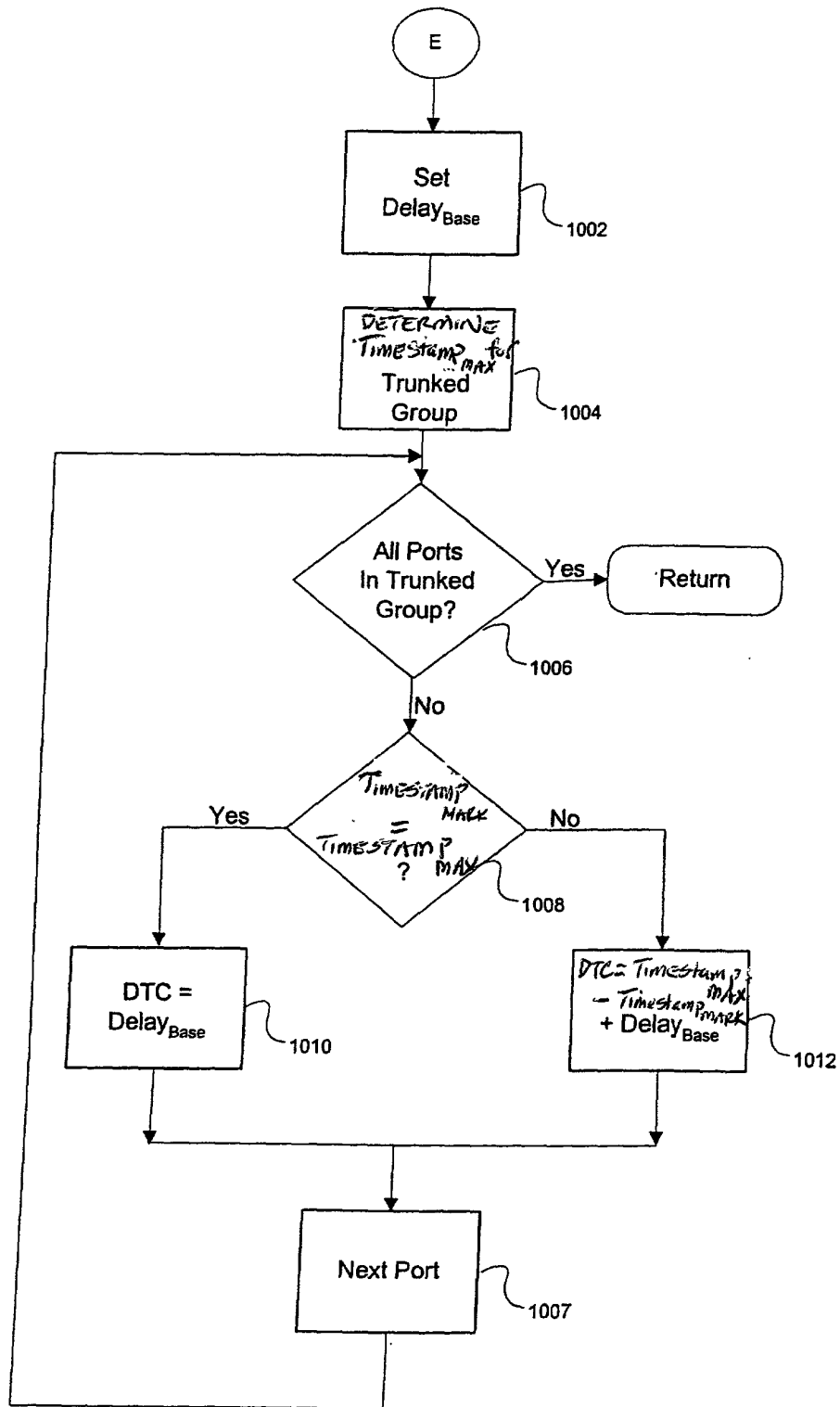


FIG. 9

CALIBRATION
OF
DTC

FOR F466

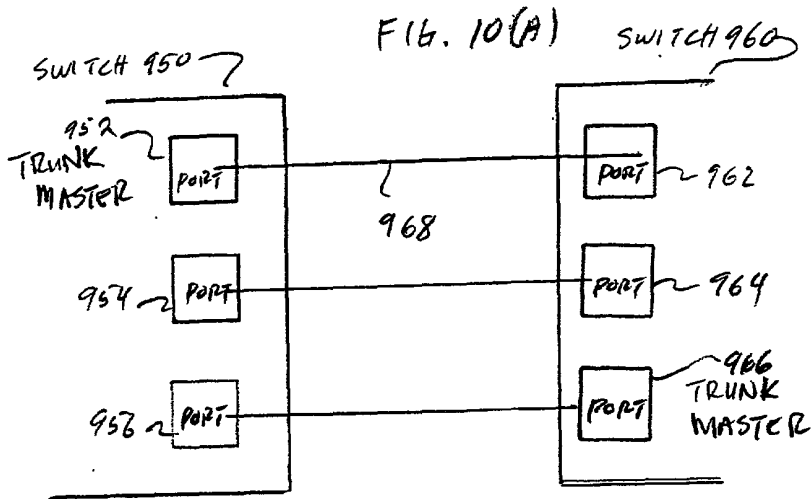
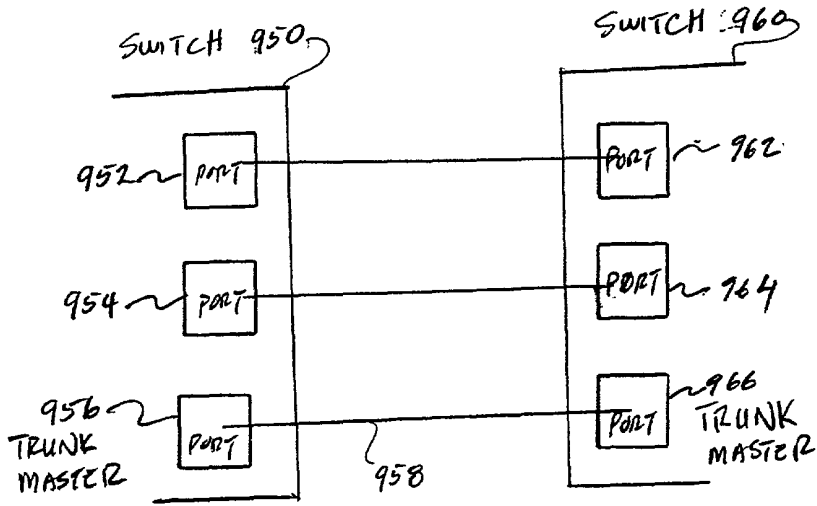


FIG. 10(B)

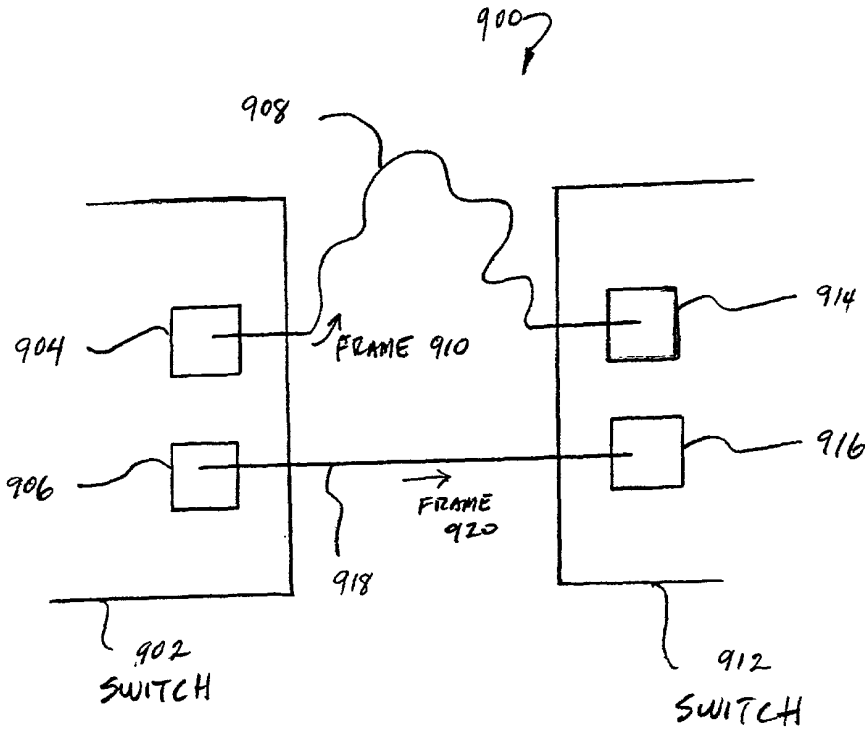


FIG. 11

FORWARDED BY MAIL